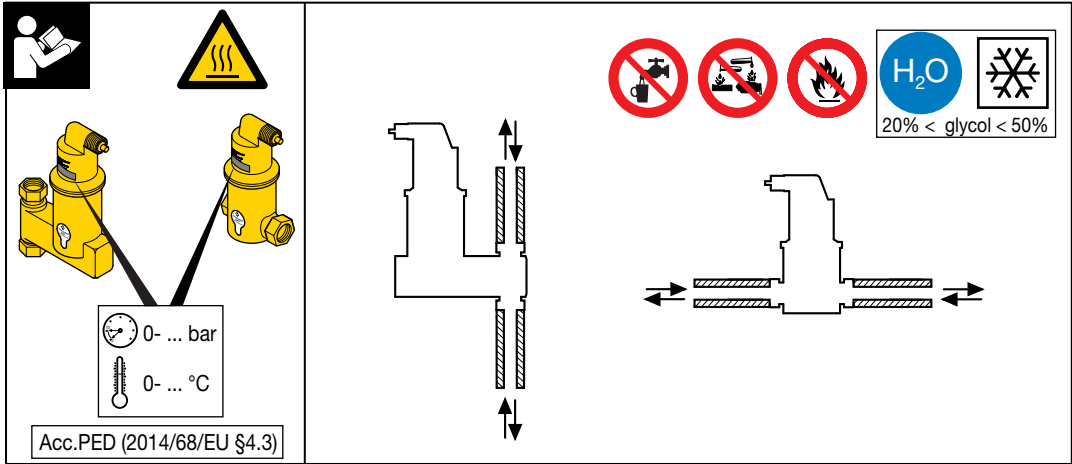



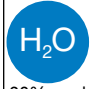



Mounting and operating instruction


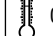
For article no's starting with AA....FBA08

18.158_04

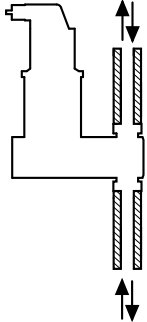
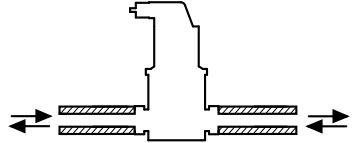
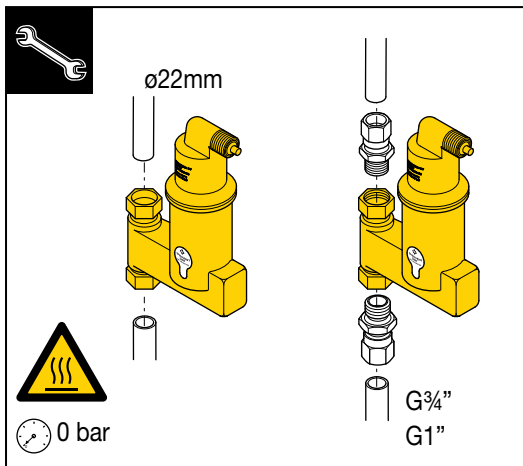









20% < glycol < 50%


 0- ... bar
 0- ... °C

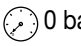
Acc.PED (2014/68/EU §4.3)







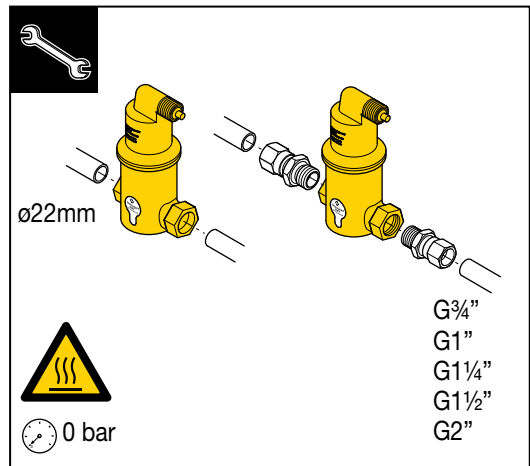



ø22mm




 0 bar


 G¾"
 G1"



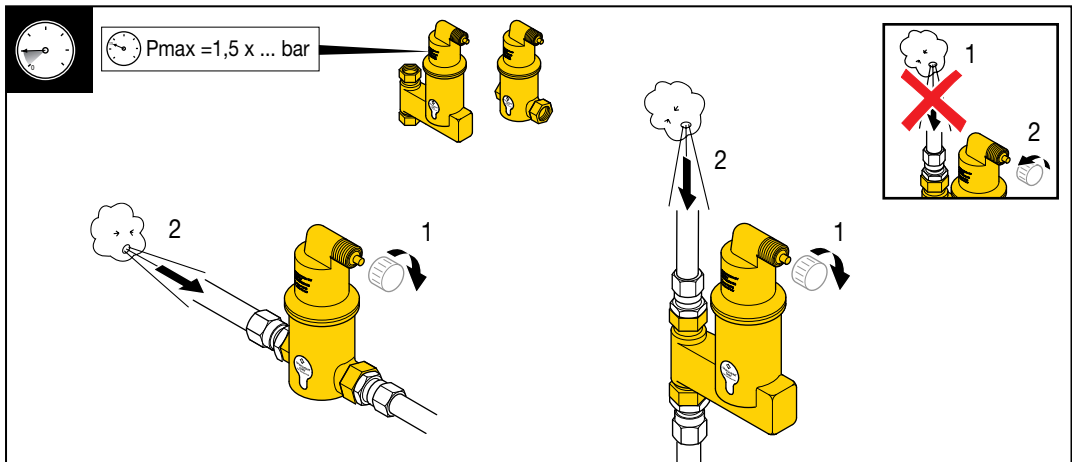



ø22mm




 0 bar

G¾"
 G1"
 G1¼"
 G1½"
 G2"



 Pmax = 1,5 x ... bar



1
 2

